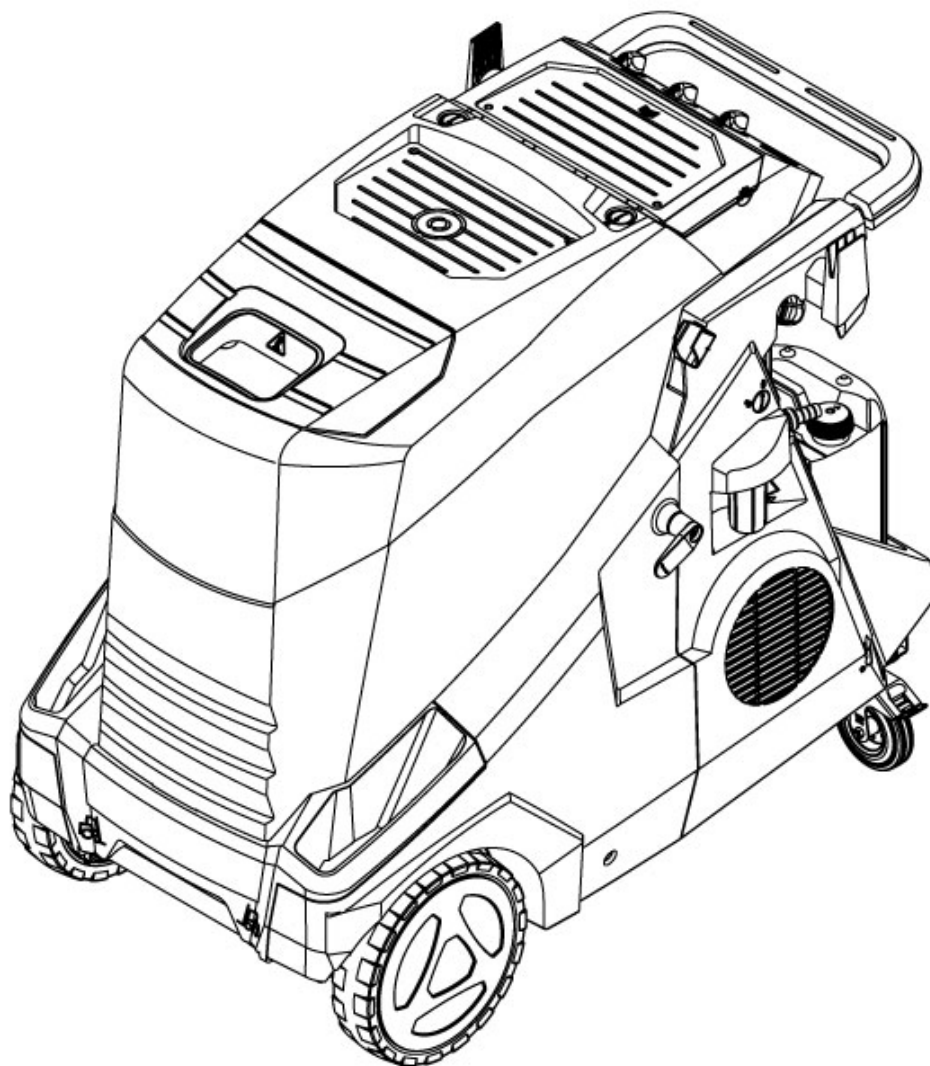


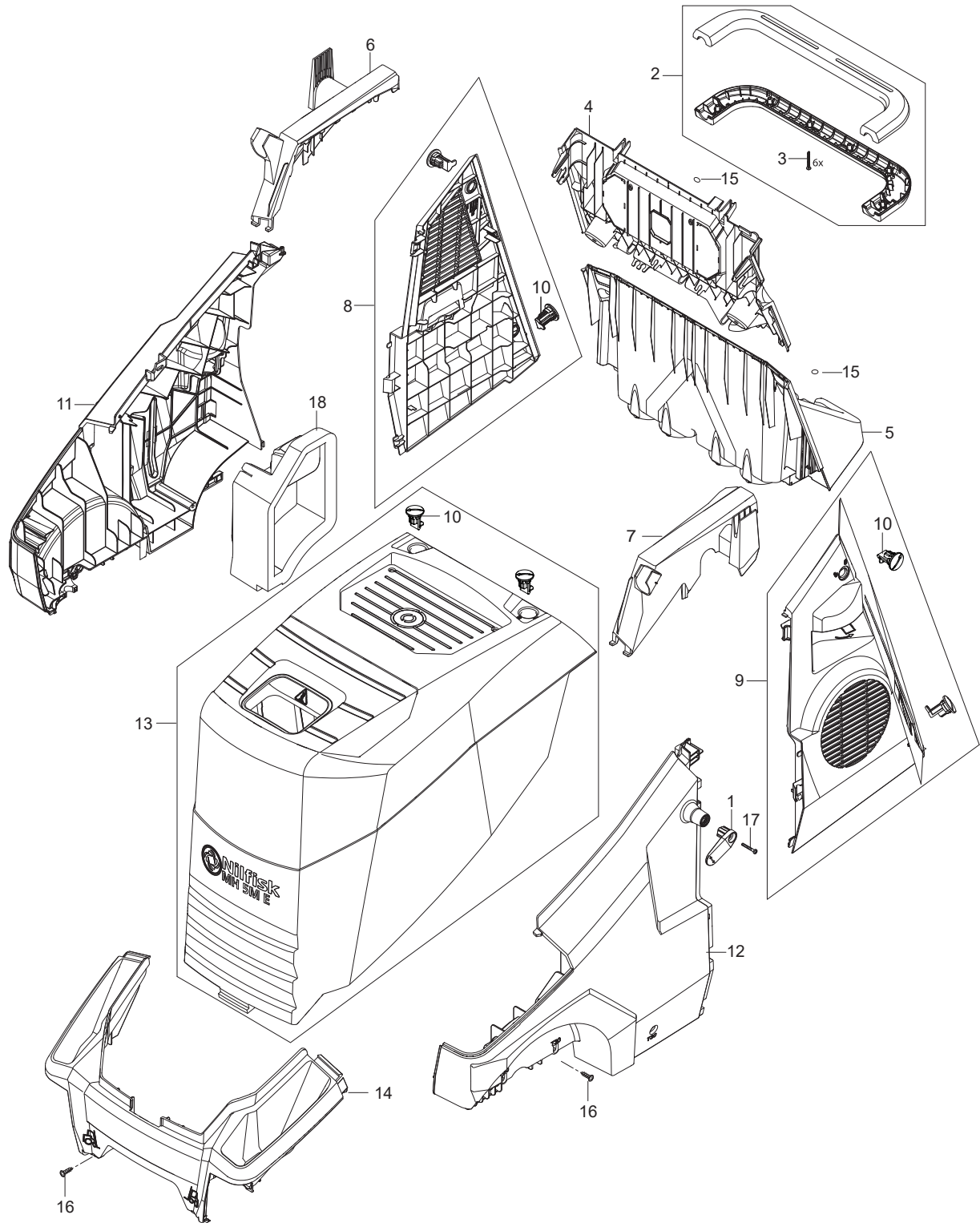
PARTS LIST



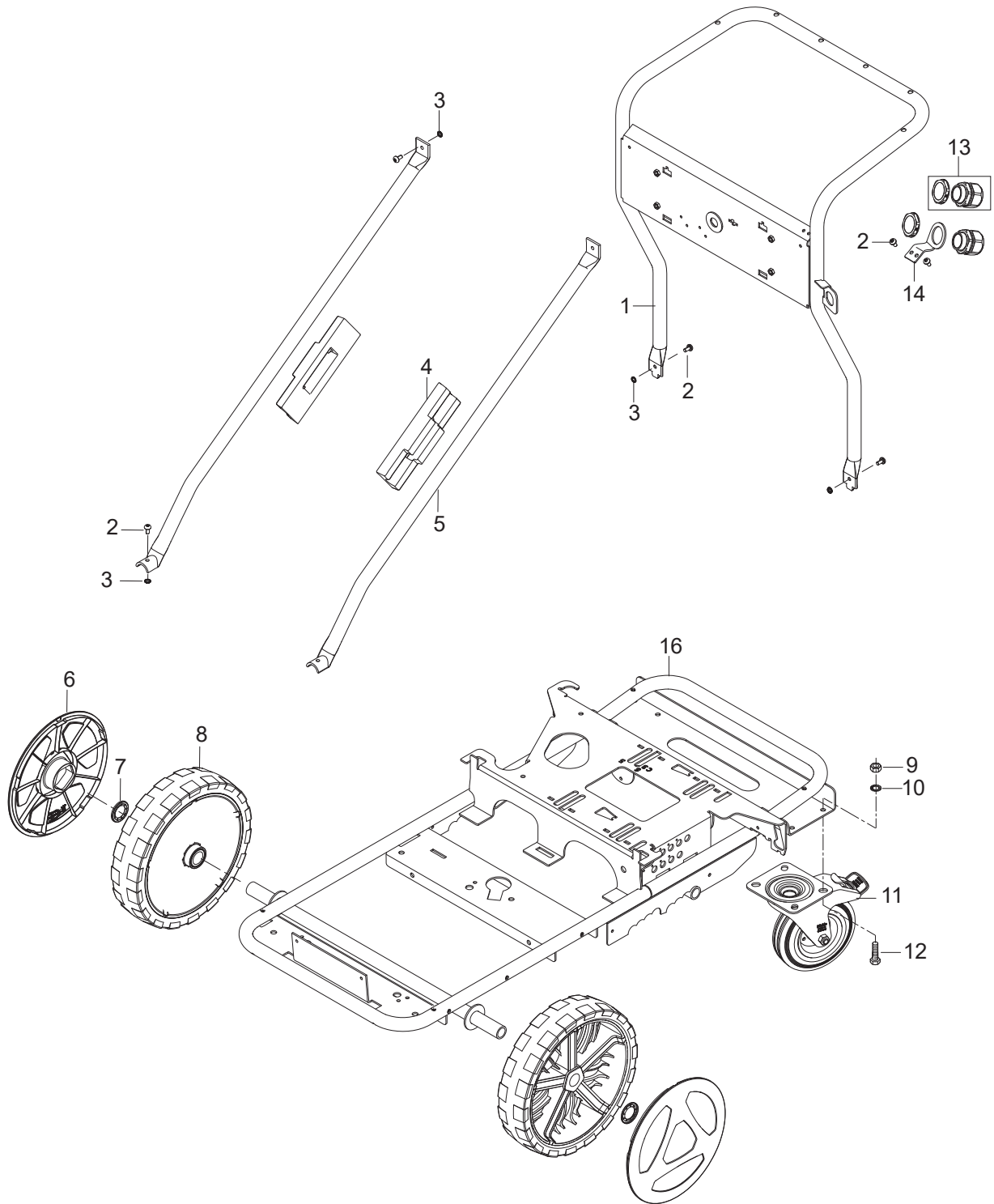
2022.03.16

TABLE OF CONTENTS

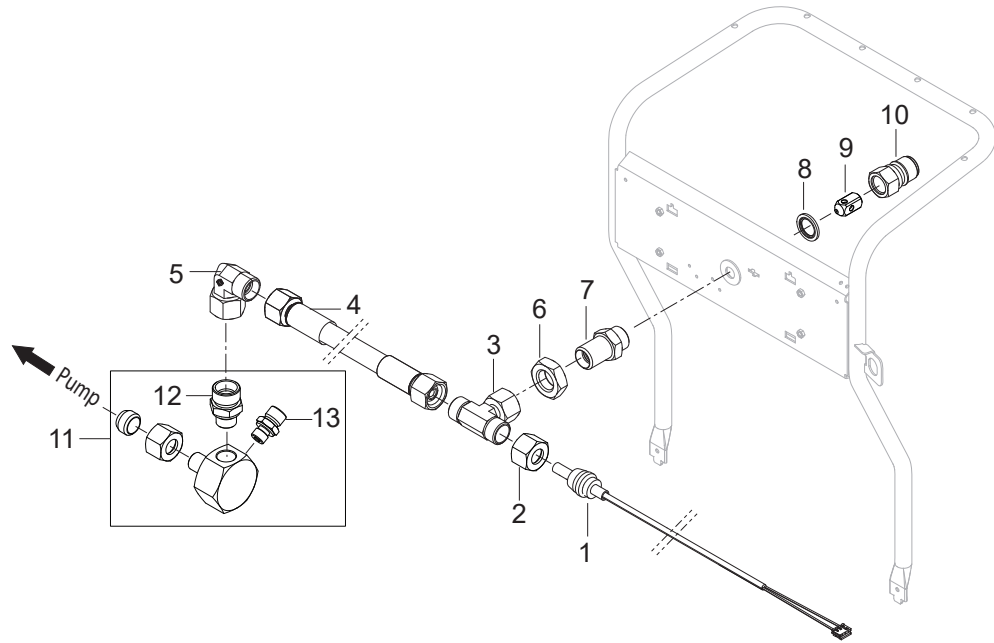
Cabinet.....	1
Chassis.....	3
Water outlet.....	5
Water inlet_PA.....	7
1x detergent.....	9
Anti-scale.....	11
Cables and wires.....	13
Electric box.....	15
Electric box for motor.....	17
Motor pump.....	19
Cylinder block.....	21
Unloader_PA.....	23
Mixer valve.....	25
Heating tank.....	27
Electric box on heating tank.....	29



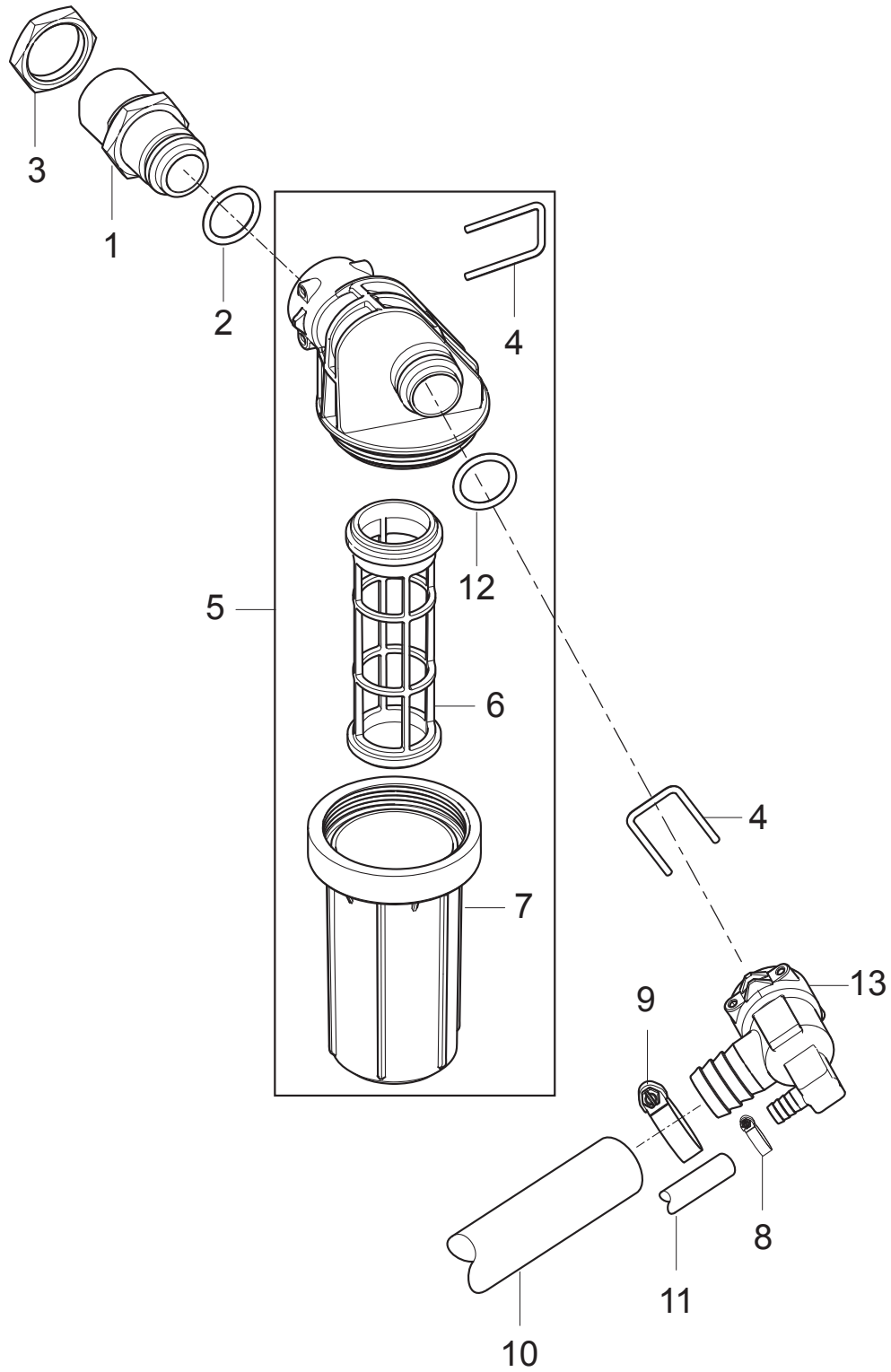
Pos.	Produktnummer	Antall	Beskrivelse	Notes
1	107143025	1	CABLE HOOK CLAMP BLUE	
2	101118192	1	HANDLE KIT	
3	909100148	6	SCREW K40X30 WN 1452	
4	107143205	1	REAR END TOP	
5	107143014	1	REAR END BOTTOM	
6	107143021	1	COVERING FOR HANDLE RIGHT	
7	107143022	1	COVERING FOR HANDLE LEFT	
8	101118223	1	DOOR MPU C3 RIGHT	
9	107143019	1	DOOR LEFT W/LOCKS	
10	301001261	6	Låsebolt Ø29x35mm	
11	107143130	1	SIDE BUMPER LARGE RIGHT	
12	107143131	1	SIDE BUMPER LARGE LEFT	
13	101118224	1	CABINET MH E	
14	107143015	1	FRONT BUMPER	
15	107143009	6	BLIND PLUG D16.5 FOR T30 BLACK PE	
16	107143018	12	SCREW M6X16	
17	107141838	7	SCREW K50X18 WN1451 BLACK TORX20	
18	107143201	1	ISOLATION RIGHT	



Pos.	Produktnummer	Antall	Beskrivelse	Notes
1	31001219	1	FRAME HANDLE, STEEL, BLACK RAL 9005	
2	107143018	8	SCREW M6X16	
3	107143146	6	WASHER SERRATED M6	
4	107143202	2	ISOLATION HANDLE STIFFENER	
5	31001158	2	HANDLE STIFFENER LONG	
6	107145780	2	WHEEL AXLE LOCKER	
7	46363	2	Cup	
8	107145637	2	WHEEL D200 KIT	
9	1800515	8	LASEMUTTER M8	
10	1800796	16	WASHER M8	
11	107141607	2	WHEEL W. BRAKE D125	
12	2753	8	Skruer	
13	107143203	E24	CABLE GLAND M32 14-25MM BLACK	
	107143207	E12	CABLE GLAND M32 11-21MM BLACK	
14	107143204	1	BRACKET FOR CABLE	
16	31001220	1	FRAME E-MODEL, STEEL, BLACK RAL 9005	



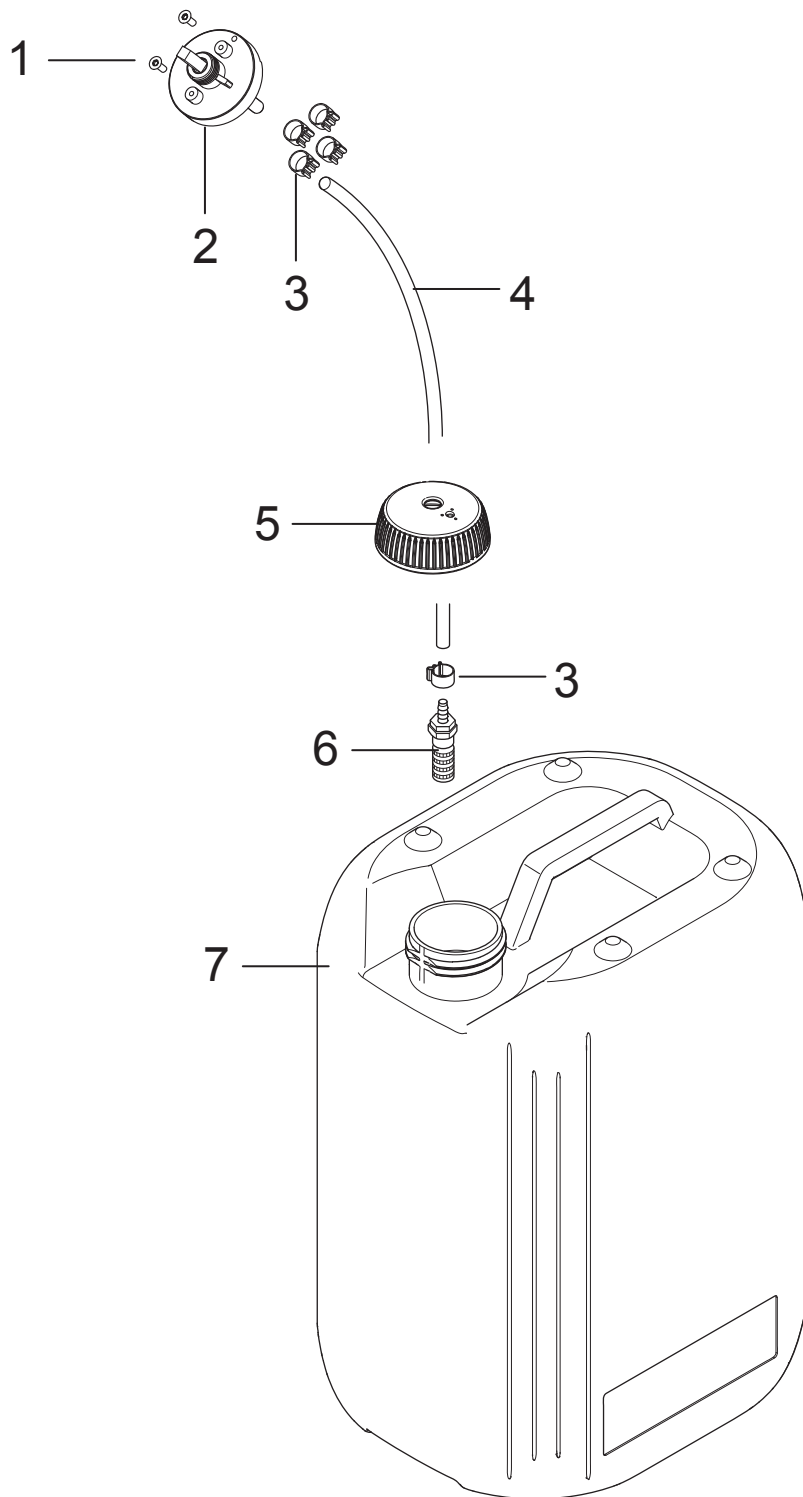
Pos.	Produktnummer	Antall	Beskrivelse	Notes
1	107143083	1	TEMPERATUR SENSOR PT100 W/CABLE	
2	1081	1	Omløbsmøtrik L12	
3	101118093	1	T-Stykke	
4	101405731	1	Høytrykkslange	
5	101118094	1	Kobling	
6	1803220	1	LOCK NUT M18X1.5	
7	107143082	1	OUTLET FITTING	
8	1801075	1	Tetningsring for høytrykk 3/8"	
9	6101038	1	Stempel F/Kontraventil	
10	1600493	1	Ergo hurtigkobling DN10 han 3/8"	
11	107140927	1	DISTRIBUTOR 6KT-SVV36X39 KIT	
12	3938	1	Forskruning	
13	1821	1	Forskruning Xge 6Lr1/8	



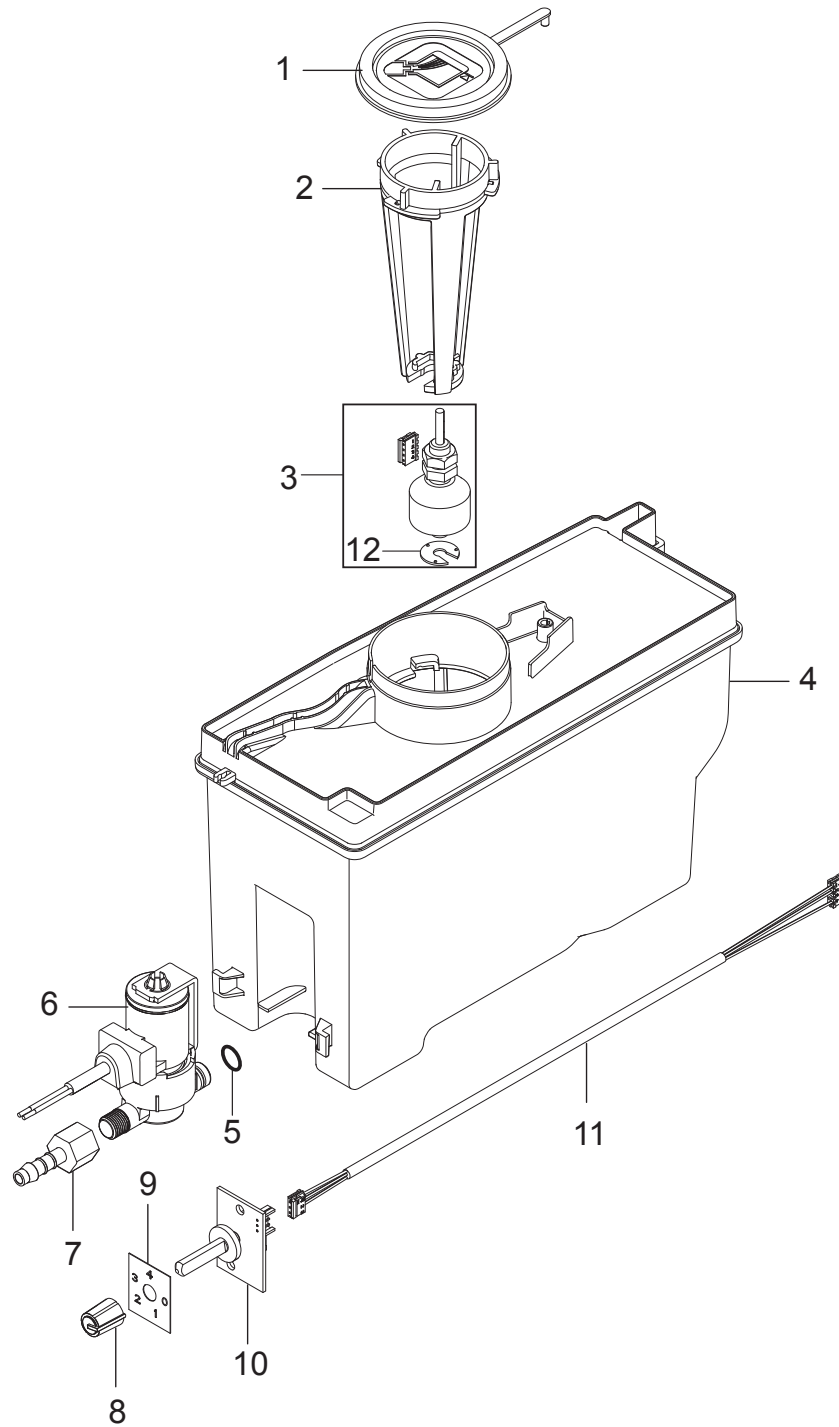
Pos.	Produktnummer	Antall	Beskrivelse	Notes
1	107143086	1	FITTING FOR WATER INLET	
2	107143088	2	O-RING 18.72X2.62	
3	1800341	1	Kontramutter	
4	107143085	2	LOCK PIN	
5	107144272	1	Vannfilter komplett 5000mm ² 50μ	
6	31001100	1	FILTER CARTRIDGE WITHOUT FLANGE	[1]
7	31001011	1	GLAS FOR WATER FILTER	[1]
8	11654	1	Slangeklemme	
9	8298	1	Spennbånd 16-27	
10	107143031	1	FUELFLEX HOSE D28/D20 10BAR/20°	
11	101406100	1	Slange Dn 6X3 5M	
12	107143088	1	O-RING 18.72X2.62	
13	107143089	1	WATER INLET FITTING FOR PA	

Part Notes:

- [1] - TSB-PPW-2020-006 Water inlet filter cartridge and filter glass improved
 TSB-PPW-2020-06 Cartouche de filtre d'entrée d'eau et bocal de filtre amélioré
 DE TSB-PPW-2020-006 Wasserzulauffilter Glas und Filtereinsatz verbessert



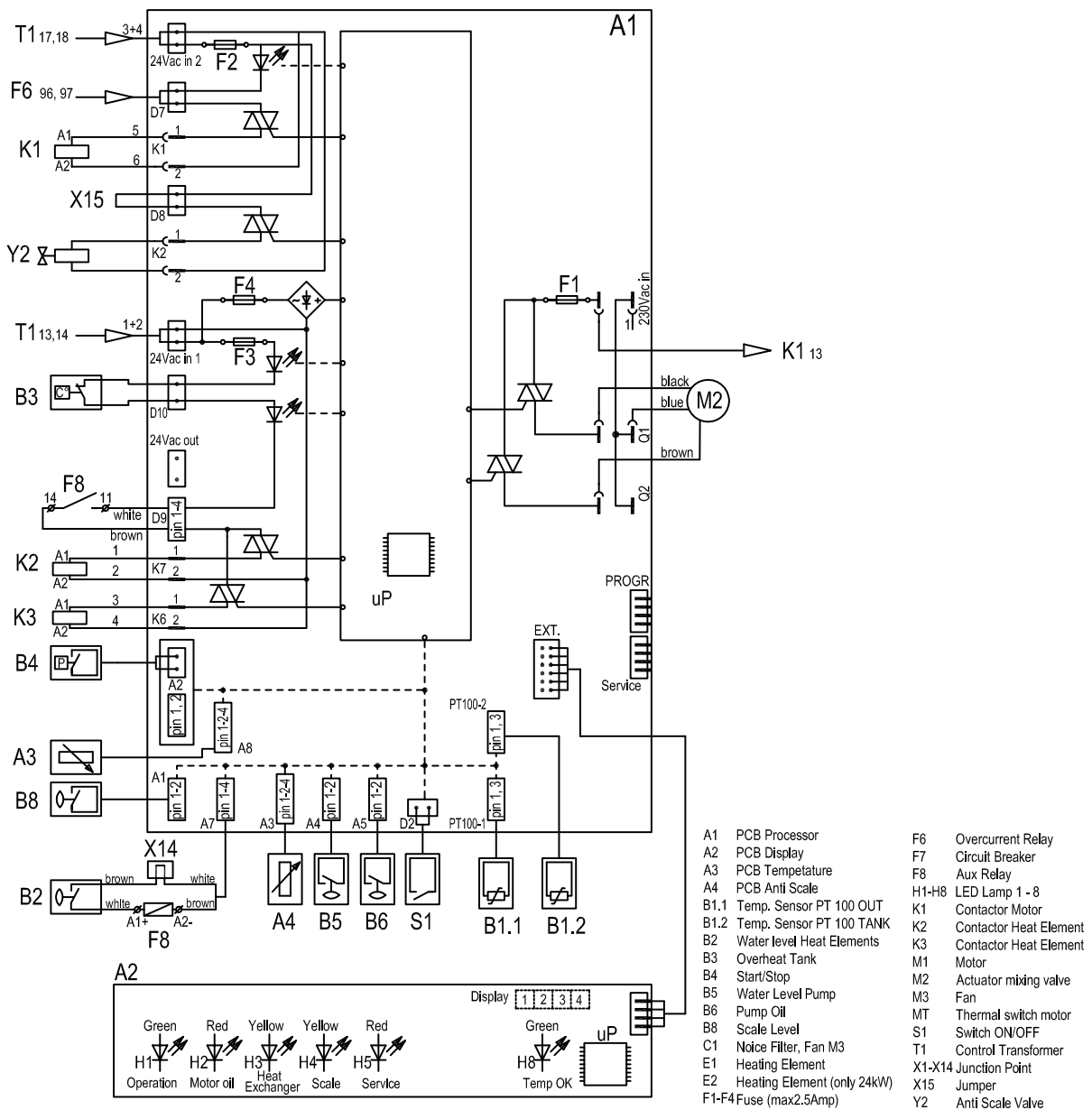
Pos.	Produktnummer	Antall	Beskrivelse	Notes
1	1814730	2	SCREW 3/8-24 X 1 HEX HEAD	
2	301001000	1	Doseringsventil	
3	301001133	8	HOSE CLAMP 10/7	
4	106408243	1	Slange 1/4" transparent 5 meter	
5	107141664	2	CAP FOR DETERG. TANK WITH VALVE MOUNTED	
6	107145440	2	Sil	
7	80518	1	Plastdunk 10L	



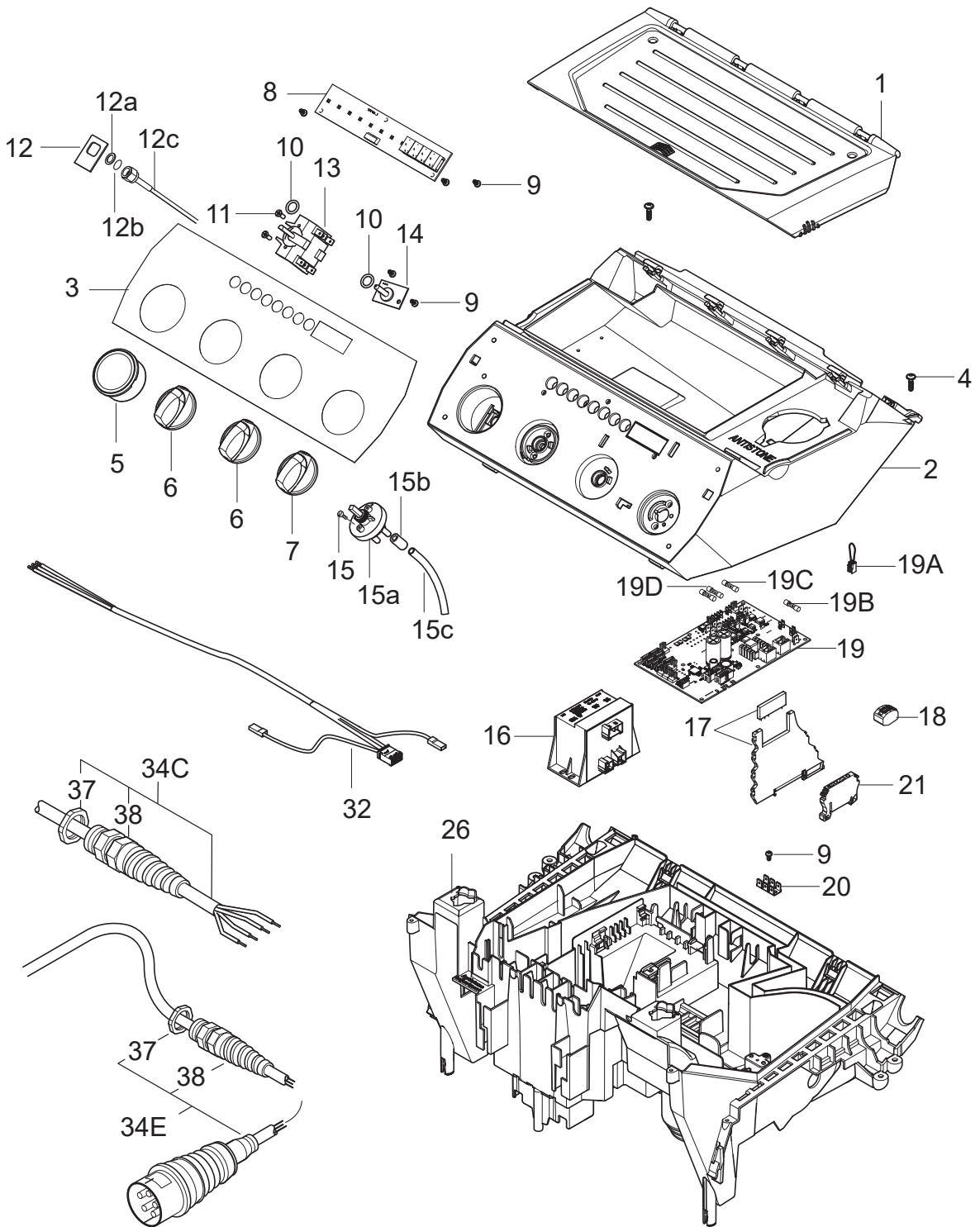
Pos.	Produktnummer	Antall	Beskrivelse	Notes
1	45646	1	COVER	
2	107143040	1	LEVELSENSOR BRACKET FOR ANTISCALE	
3	101118214	1	FLOAT SWITCH KIT	
4	107143041	1	ANTISCALE TANK CPL.	
5	31001036	1	O-RING 6X2 NBR 70SH	
6	107143037	1	DOSING VALVE RPE 24VAC	
7	107143036	1	HOSE FITTING D6X1/8 PA	
8	107318222	1	PUSHBUTTON YELLOW 3SB3	
9	107143042	1	LABEL FOR ANTISCALE	
10	101117730	1	PCB for pot.meter	
11	107143038	1	CABLE FOR ADJUSTMENT ANTI SCALE	
12	107142593	1	HOLDING WASHER PE	[1]

Part Notes:

- [1] - TSB-PPW-2016-017 Locking ring for oil level switch falling off



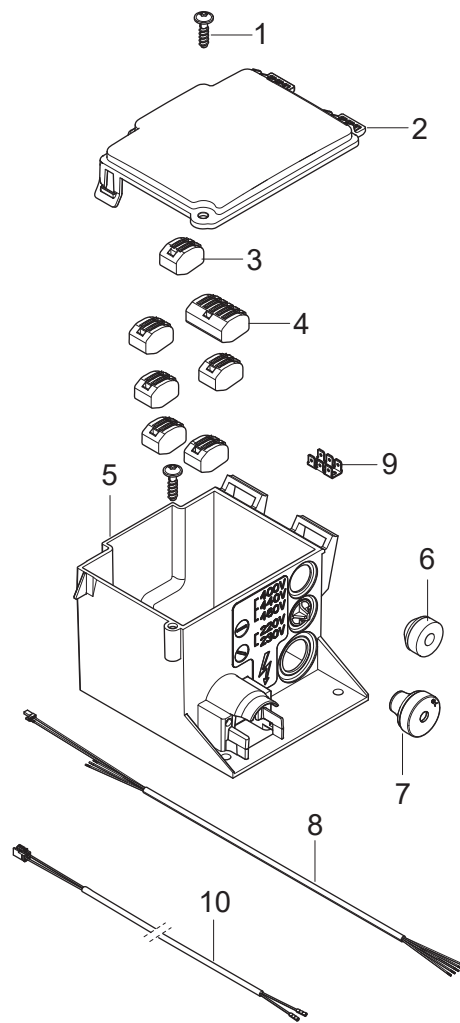
Pos.	Produktnummer	Antall	Beskrivelse	Notes
T1	107143052		CABLE FOR POWER TRANSFORMER SEC 6X0.75	
F6	107143211		CABLE FOR CONTACTORS 9G0.75MM2	
K1	107143212		CABLE FOR 230V E-BOX1 TO E-BOX2	
X15	101221031	1	SERVICE JUMPER	
Y2	107143037	1	DOSING VALVE RPE 24VAC	
B3	107143213	1	TEMPERATURE LIMITER 85°C	
K2	107143211	1	CABLE FOR CONTACTORS 9G0.75MM2	
K3	107143211	1	CABLE FOR CONTACTORS 9G0.75MM2	
B4	101118188	1	MICRO-SWITCH KIT	
A3	107143043	1	CABLE FOR TEMPERATURE ADJUSTMENT	
B8	101118214	1	FLOAT SWITCH KIT	
F8+B2	107143235	1	CABLE FOR LEVEL SENSOR	
A4	107143038	1	CABLE FOR ADJUSTMENT ANTI SCALE	
B6	101118173	1	OIL SENSOR W/PLUG KIT	
S1	107143055	1	CABLE FOR HOT WATER MODE AND EXH. SWITCH	
B1.1	107143214	1	TEMPERATURE SENSOR PT100	
B1.2	107143083	1	TEMPERATUR SENSOR PT100 W/CABLE	
A2	107143053	1	CABLE FOR UI	
M2	107143215	1	ACTUATOR DANFOSS	



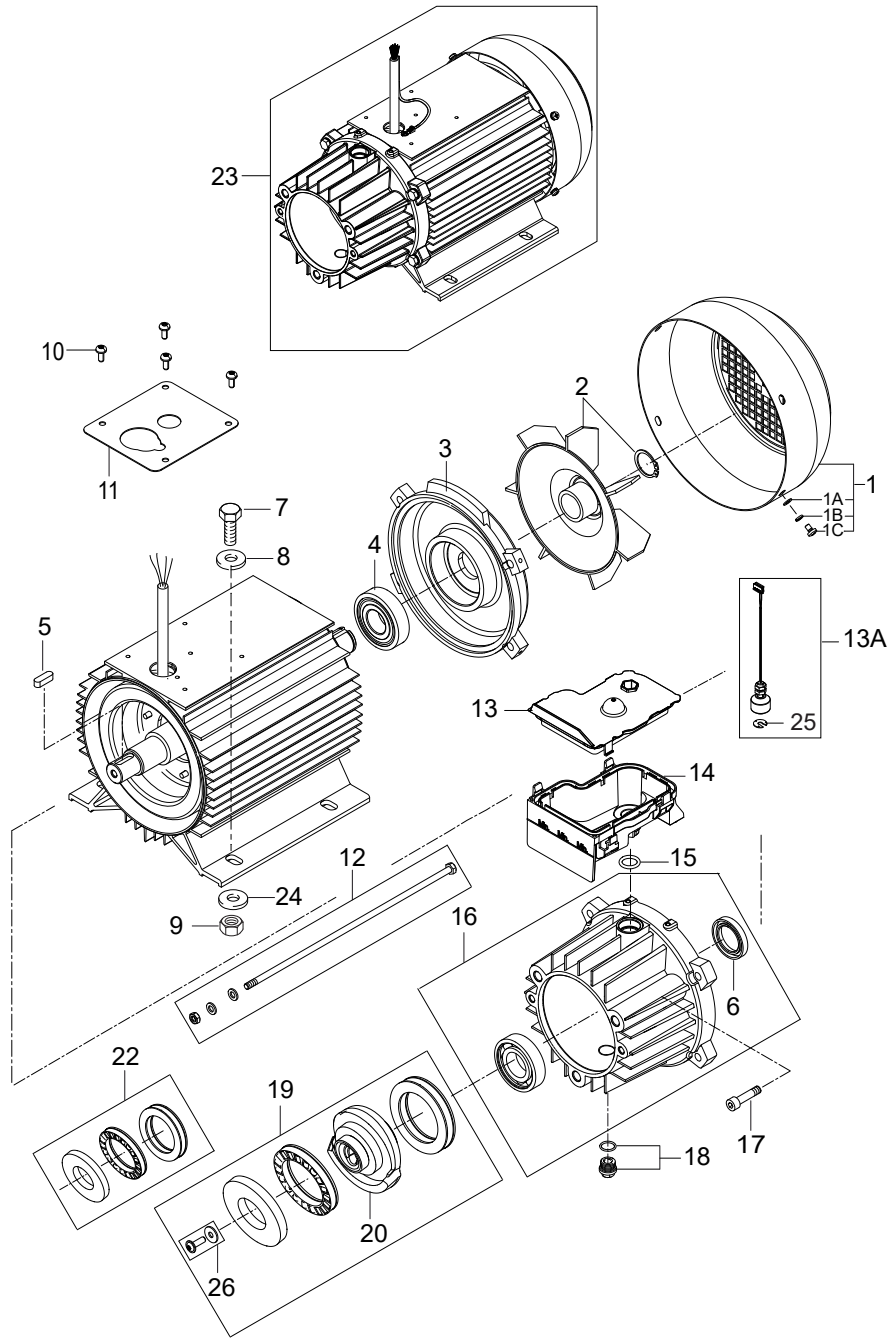
Pos.	Produktnummer	Antall	Beskrivelse	Notes
1	107143046	1	TOOL BOX LID	
2	107143045	1	E-BOX TOP	
3	107143206	1	LABEL CONTROL PANEL FULL SPEC NILFISK MH	
4	107141838	2	SCREW K50X18 WN1451 BLACK TORX20	
5	107141648	1	MANOMETER 0-300 BAR	
6	909100204	2	ROTARY KNOB 6X5 ALTO BLUE	
7	909100214	1	ROTARY KNOB GR.1 4KT. 6X6+8X8 BLUE	
8	101118311	1	PCBA UI MH E	
9	909100046	5	SCREW 4.2X13 ISO 7049	
10	9868	2	O-Ring 10,2x2,5	
11	18274	2	COUNTERSUNK SCREW M4X12	
12	107141650	1	PLATE FOR MANOMETER	
12a	107141651	1	WASHER M12 13X24X2.5 A2 DIN125	
12b	31000508	1	O-RING NBR	
12c	102406647	1	Slange	
13	28877	1	Switch	
14	101117730	1	PCB for pot.meter	
15	1814730	2	SCREW 3/8-24 X 1 HEX HEAD	
15a	301001000	1	Doseringsventil	
15b	301001906	1	Lukkekappe	
15c	106408243	1	Slange 1/4" transparent 5 meter	
16	107143200	1	POWER TRANSFORMER 55VA 230/400V 2X24V	[1]
16	107143208	1	POWER TRANSFORMER 55VA 230/450V 2X24V	[2]
17	103821828	1	Rel� SNR 24V	
18	107143069	1	SNAP TERMINAL 2 POL	
19	101118310	1	PCBA MH E	[3]
19A	101221031	1	SERVICE JUMPER	
19B	31001190	1	FUSE 6.3A 5X20 MM 250V	
19C	107143239	1	FUSE 5X20MM 1,25A	
19D	15846	2	Sikring T 25A	
20	107307326	1	EARTH CONNECTOR 6 PIN	
21	107318193	1	EMI BOX PP+PCBA+SCREW SST KIT	
26	107143062	1	E-BOX BOTTOM	
32	107143063	1	CABLE FOR POWER TRANSFORMER PRIM 400V	
34C	107143166	E12	POWER CORD H07RN.F 4G4X6M CEE 32A	
34C	107143209	E24	POWER CORD H07RN-F 4G10X6M CEE 63A	
34E	107143210	E24 -US	POWER CORD S00W 4AWG8 X 11M	
37	909100019	1	Hexagon Thin Nut	
38	909100043	1	Cable Screwing W.Antibuc	

Part Notes:

- [1] - EU
- [2] - 460/3/60 E24 US
- [3] - Including fuse 5x20mm 1,25A



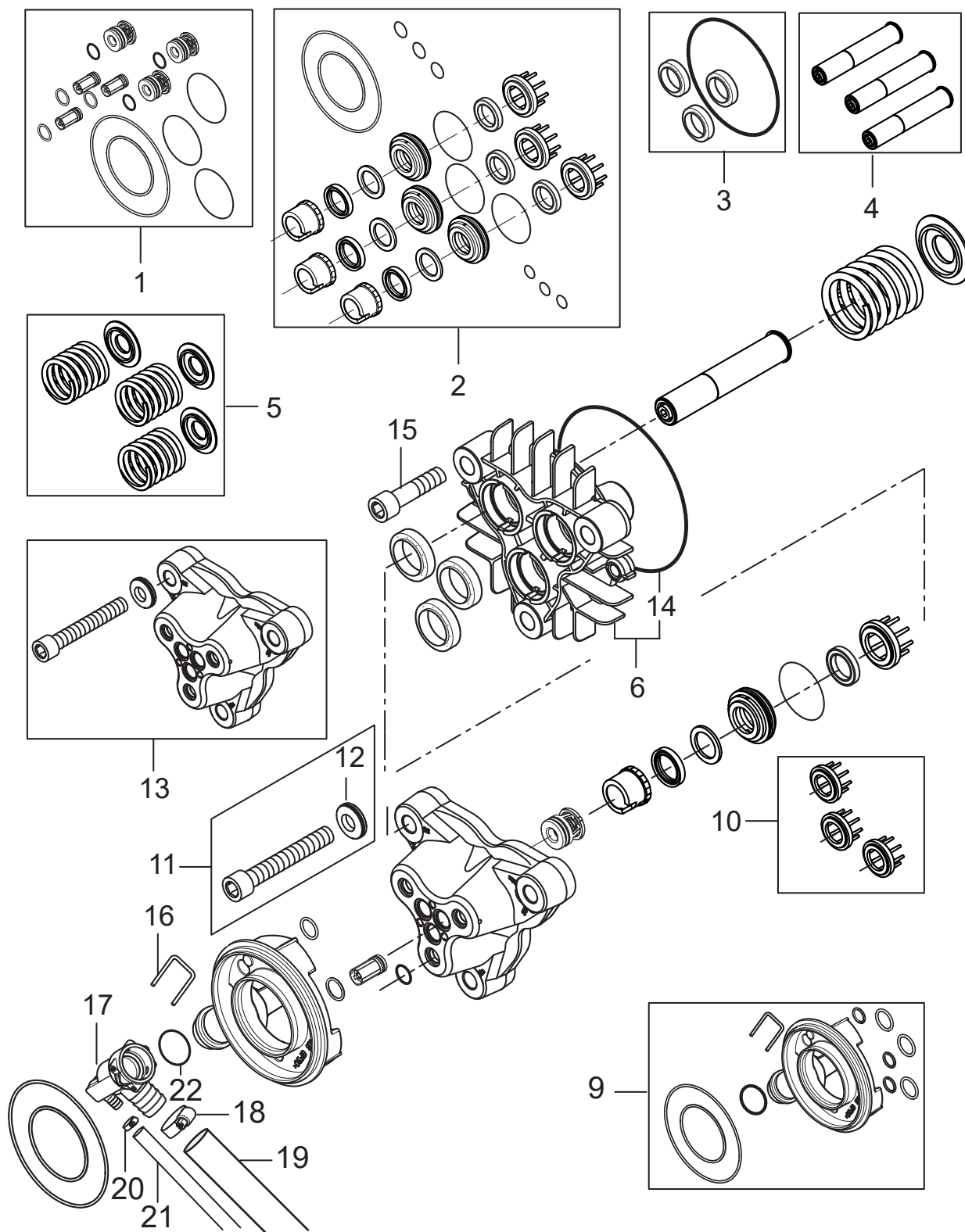
Pos.	Produktnummer	Antall	Beskrivelse	Notes
1	107141838	1	SCREW K50X18 WN1451 BLACK TORX20	
2	301000782	1	Electric box	
3	107143069	6	SNAP TERMINAL 2 POL	
4	301002165	1	CABLE CLAMP	
5	107143074	1	E-BOX	
6	3803764	1	RUBBER SEAL TET 5-7C	
7	3803772	1	CABLE GROMMET 3 HOLES	
8	107143075	1	MOTOR CABLE 5G1.5 FOR 3~	
9	107307326	1	EARTH CONNECTOR 6 PIN	
10	107143070	1	CABLE FOR MT	



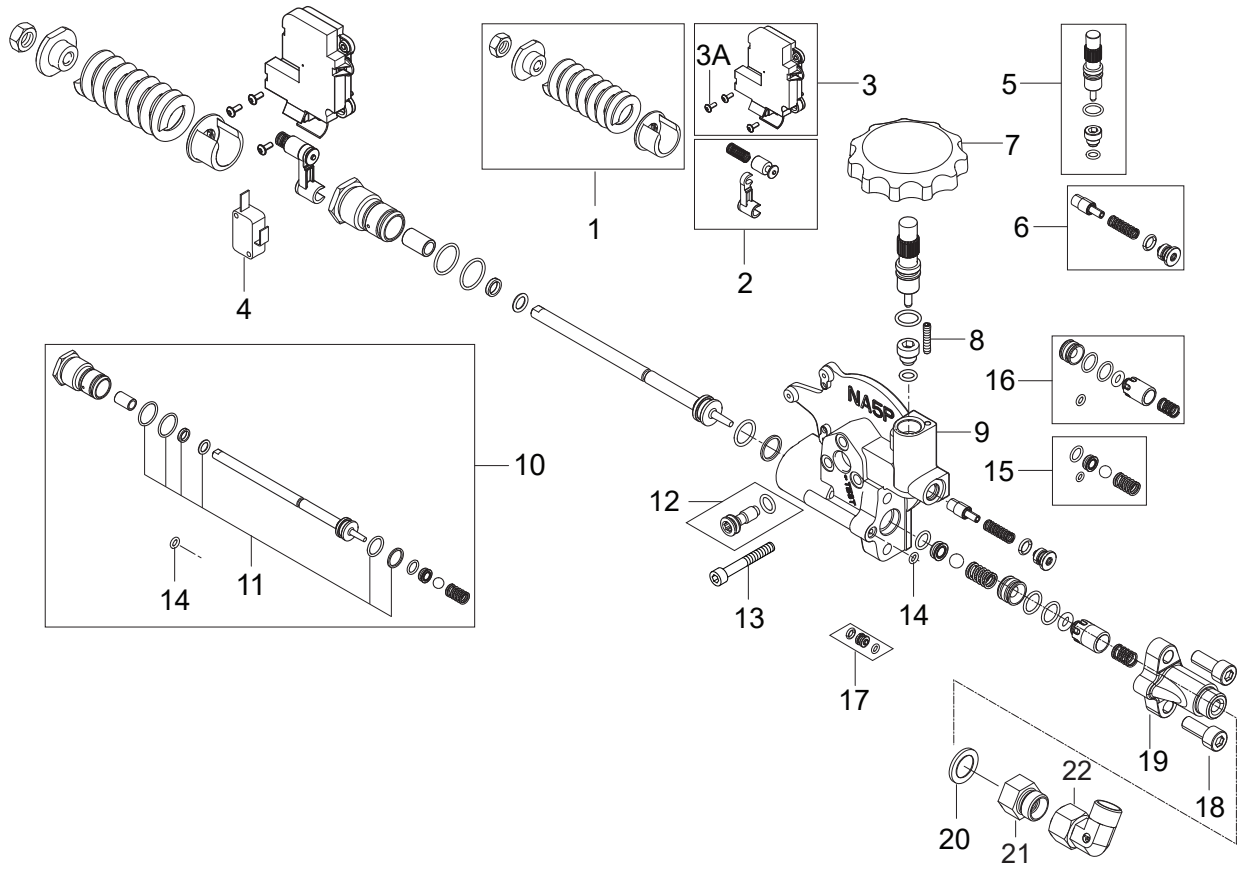
Pos.	Produktnummer	Antall	Beskrivelse	Notes
	31001229	1	OIL ISO 150 ALPHASYN-T 20L	
0	5218433	1	Pumpeolje Alphasyn T 150 1 L	
1	107144126	1	FAN COVER	
1A	2763	4	Washer 5,3X1	
1B		4	Spring washer Ø5	
1C	1813781	4	SCREW M5X8	
2	107144125	1	Vifte m/låsering, RF-motor	
3	31000148	1	Lager	
4	31000149	1	Kulelager RF-motor	
5	19639	1	Fitting Key	
6	G120414	1	Olietætningsring 30X47X10	
7	1801133	4	SCREW M10X25 ISO4017 ZN	
8	2767	4	Skive 10,5X2	
9	8952	4	Mutter M10	
10	107140881	4	SCREW M5X12 DIN 7985 TORX	
11	107140875	1	SEALING BETWEEN E-BOX AND MPU	[1]
12	31000505	1	STAY BOLT M8X290 RF	
12	31000504	1	STAY BOLT M8X265 RF	
13	107140877	1	OIL CONTAINER TOP	
13A	101118173	1	OIL SENSOR W/PLUG KIT	
14	107143094	1	OIL CONTAINER BOTTOM	
15	107140882	1	O-RING 15.0 X 3.0 SMS 1586 NBR70	
16	107141967	1	D-BEARING COVER COMPLETE NA5.2	
17	107144142	4	Screw Kit Pump Na5	
18	107141982	1	OIL PLUG W/O-RING AND MAGNET NA5.2	
19	101118247	1	WOBBLE DISC 8.7 DEG. BEARING KIT NA5.2	
19	107143108	1	WOBBLE DISC 7.2 DEG. NA5.2	[2]
20	107141962	1	WOBBLE DISC 8.7 DEG. NA5.2	
20	101118249	1	WOBBLE DISC 7.2 DEG. BEARING KIT NA5.2	[2]
21	107141502	1	SCREW M8 X 20 DIN 7991	
22	101118240	1	BEARING KIT FA & PA - NA5.2	
23	107141954	1	MOTOR 5.2 KW/220/1 60HZ 5-52 US	[3]
24	4827	4	WASHER 10 SAE FLAT PLTD	
25	107142593	1	HOLDING WASHER PE	
26	107142658	1	NA5.2 WD SCREW AND WASHER	

Part Notes:

- [1] - TSB-PPW-2018-012 NA5_NA6 mpu. Water enters into the stator.
 [2] - US
 [3] - Also order Gasket for motor, 107140875



Pos.	Produktnummer	Antall	Beskrivelse	Notes
1	101118121	1	VALVE KIT - NA5	
2	101118256	1	WATER SEAL NA5 HEAVYDUTY HOT SUCTION KIT	
3	107144102	1	Pakningskit NA5	
4	101118239	1	PISTON KIT - NA5.2	
5	107144104	1	Fjær Sett Na5	
6	107141983	1	CYLINDER BLOCK W/ O-RING NA5.2	
9	101118147	1	INLET MANIFOLD KIT NA5	
10	107140919	1	SUPPORT RING NA5 SPARE	
11	107141968	1	CYL.SCREW M12X80 WITH NORDLOCK WASHER	
12	107141969	3	WASHER NLX12SP D12.5XD25.4X4.2MM	
13	107141985	1	CYLINDER HEAD NA5.2 W. SCREWS WASHERS	
14	107141512	1	O-RING D114 X D1.78 NBR 72	
15	4042	2	CYLINDER SCREW M8X40 ISO 4762 8.8 ZN	
16	107143085	1	LOCK PIN	
17	107143000	1	WATER LIMITER (MEDIUM)	
18	8298	2	Spennbånd 16-27	
19	107143031	1	FUELFLEX HOSE D28/D20 10BAR/20°	
20	11654	1	Slangeklemme	
21	106408243	1	Slange 1/4" transparent 5 meter	
22	107143088	1	O-RING 18.72X2.62	



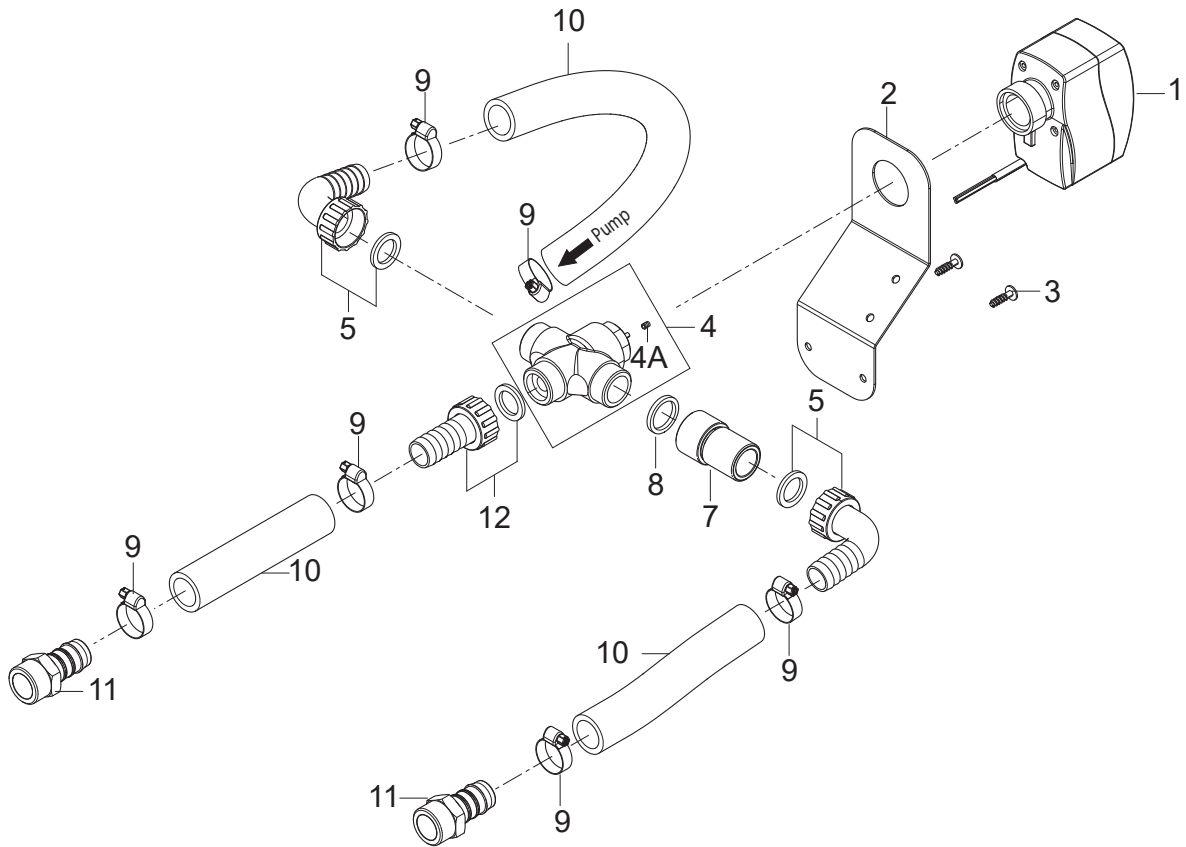
Pos.	Produktnummer	Antall	Beskrivelse	Notes
1	101118091	1	UNLOADER SPRING REP. KIT-PAINTED NA5 PA	
2	101118090	1	MICROSW. ACTIVATION REP. KIT NA5 PA	
3	101118084	1	MICROSWITCH BOX W/O MICROSW. NA5 PA	
3A	107141515	3	SCREW M3X8 ISO7380 FZG TORX 10	
4	101118188	1	MICRO-SWITCH KIT	
5	101118313	1	FLOW REGULATION VALVE KIT	[1]
6	101118315	1	PRESSURE BUILD UP VALVE LOW FLOW KIT	[2]
6	101118314	1	PRESSURE BUILD UP VALVE HIGH FLOW KIT	[3]
7	107143003	1	REGULATOR KNOB NA5/NA6 NILFISK	
8	106408188	1	DIN 913 M4X20 POINTED SCREW	
9	107140884	1	UNLOADER PA NA5	[1]
10	101118294	1	STEM + SEALING REP. KIT NA5/5.2/6/6+ PA	[4]
11	101118083	1	SEAL KIT FOR STEM FOR NA5 PA	
12	107144137	1	Avlastningsplupp Na5	
13	5100	3	Skrue M6X45	
13	107144142	1	Screw Kit Pump Na5	[5]
14	107141514	1	O-RING D4 X D1.5 NBR 90	
15	101118295	1	BYPASS VALVE REP. KIT NA5.2 PA	[4]
16	101118254	1	HOLDING PRESSURE VALVE REP. KIT NA5.2 PA	[4]
17	101118316	1	DAMPER SEAT WITH O-RING KIT	[1]
18	8894	2	SKRUE DIN912 M8 X 20 8.8 FZB	
19	107143110	1	NA5 PA OUTLET MACHINED	
20	107143107	1	PACKING RING D23.8XD17.28X2	
21	107143090	1	ADAPTOR IN 3/8 OUT M18X1.5	
22	101118094	1	Kobling	

Part Notes:

- [1] - TSB-PPW-2020-001 MH 4_MH 5M Damper Valve removed
DE TSB-PPW-2020-001 MH 4 MH 5M Dämpferkolben entfernt
TSB-PPW-2020-001 MH 4M5M_MC 5M machine en version PA. Supression de l'anti bélier
- [2] - MH 5M-100/760

TSB-PPW-2020-001 MH 4_MH 5M Damper Valve removed
DE TSB-PPW-2020-001 MH 4 MH 5M Dämpferkolben entfernt
TSB-PPW-2020-001 MH 4M5M_MC 5M machine en version PA. Supression de l'anti bélier
- [3] - MH 5M-210/1100

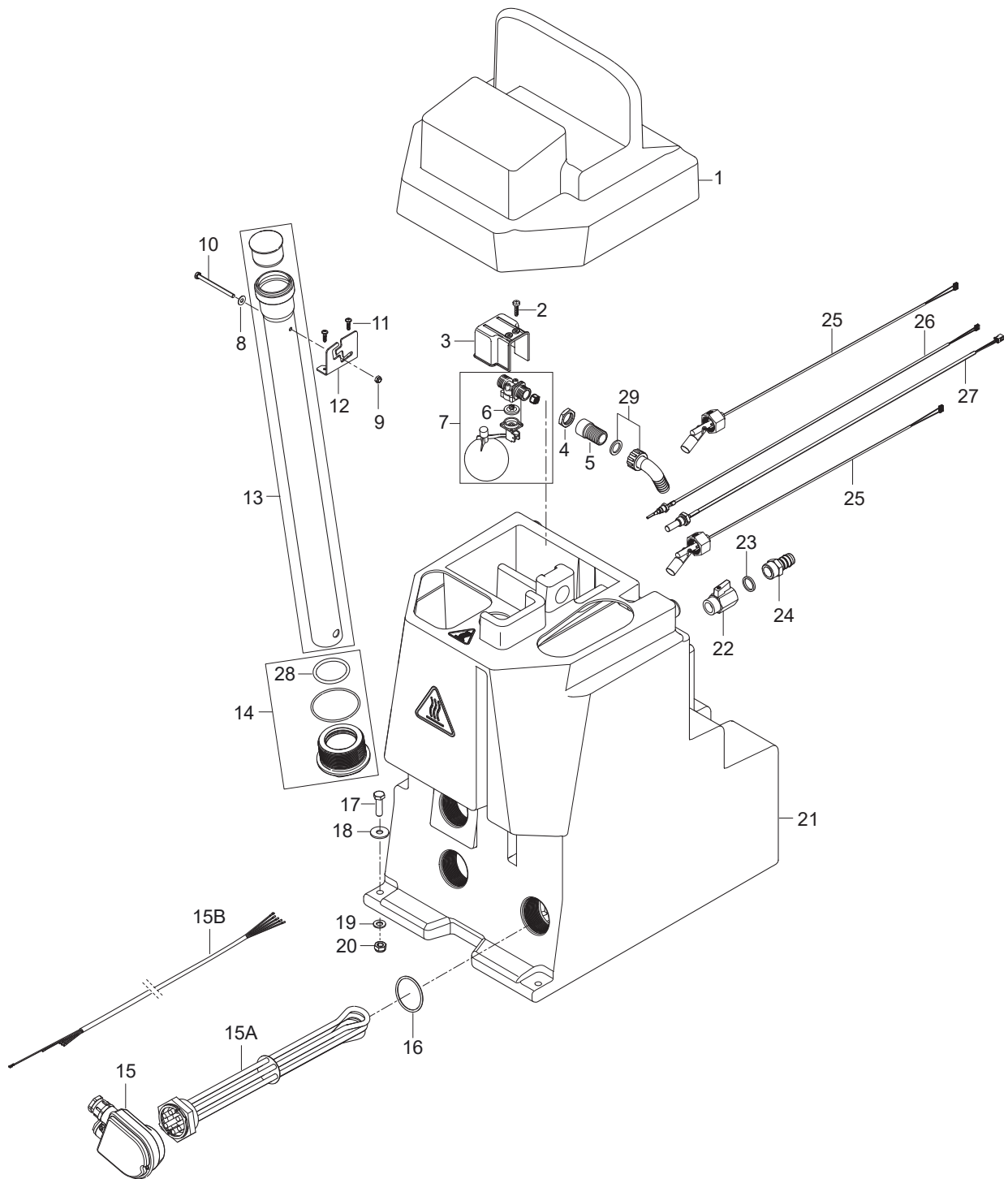
TSB-PPW-2020-001 MH 4_MH 5M Damper Valve removed
DE TSB-PPW-2020-001 MH 4 MH 5M Dämpferkolben entfernt
TSB-PPW-2020-001 MH 4M5M_MC 5M machine en version PA. Supression de l'anti bélier
- [4] - TSB-PPW-2017-005 Low pressure—Unloader valve for NA5.2 pump can leak internally
- [5] - 3x Screw HX M6 x 45 ISO 4762
2x CYLINDRICAL SCREW M6 X 18
2x Screw M8x40ISO47628.8zn
4x SCREW M8X35 ISO 4017



Pos.	Produktnummer	Antall	Beskrivelse	Notes
1	107143215	1	ACTUATOR DANFOSS	
2	107143216	1	BRACKET FOR MIXING VALVE	
3	107141838	2	SCREW K50X18 WN1451 BLACK TORX20	
4	107143217	1	MIXING VALVE 3-WAY DANFOSS	
4A	31001222	1	STEM EXTENSION PLUG FOR VZL VALVE Ø5X4,7	
5	107141709	2	ELBOW 90DEG HOSE NOZZLE	
7	301002149	1	NIPPLE G3/4X50 I-A	[1]
8	3001237	1	Pakning Ø24,5Xø16X3	
9	8298	6	Spennbånd 16-27	
10	107141694	1	UNIVERSAL WATER/AIR HOSE	
11	107143219	2	HOSE NIPPLE PA ?19X3/4	
12	107143220	1	"STRAIGHT HOSE NOZZLE 3/4""X?20"	

Part Notes:

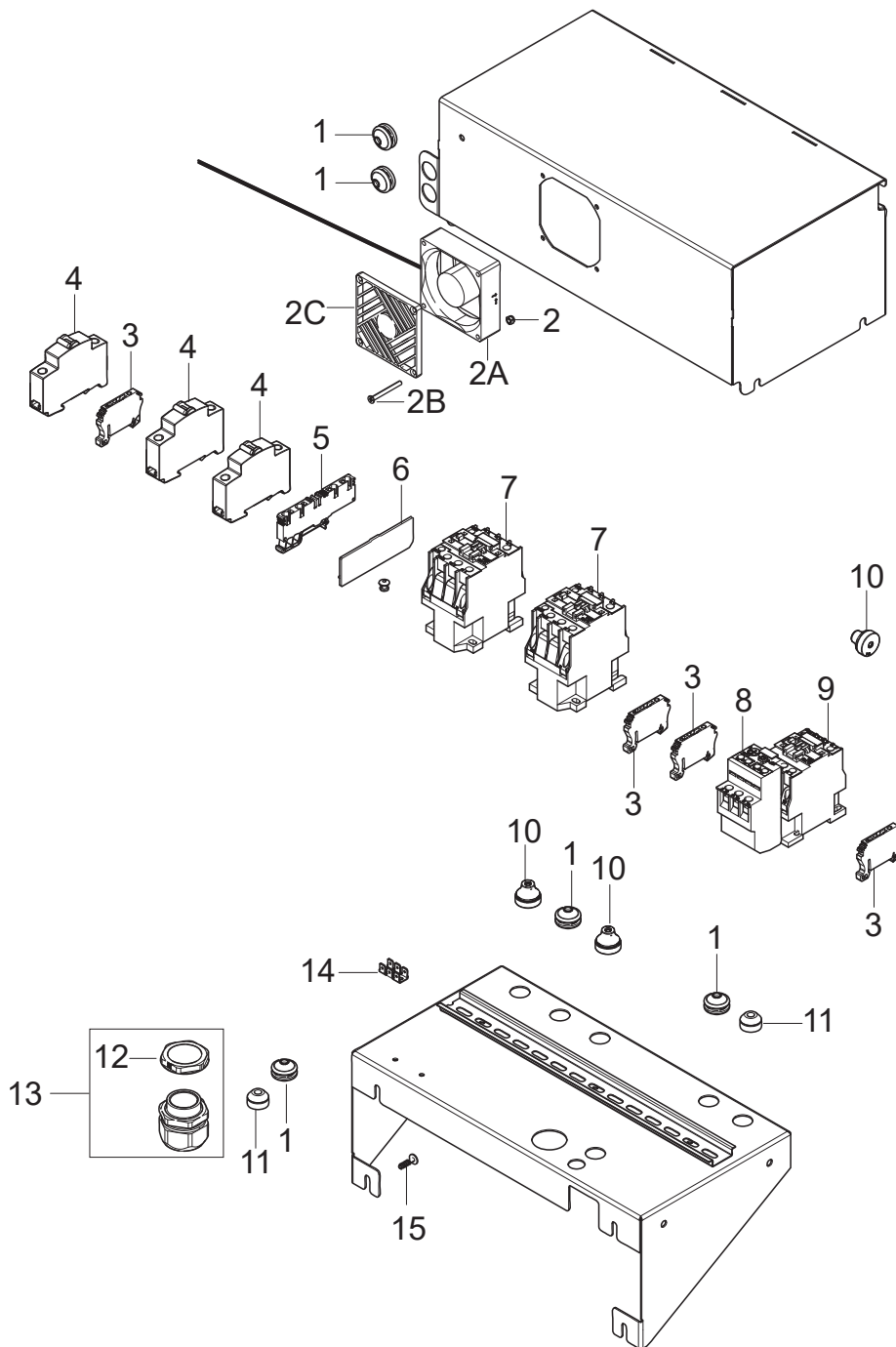
[1] - STOCK COVERS GUARANTEE



Pos.	Produktnummer	Antall	Beskrivelse	Notes
1	107143221	1	ISOLATION TOP	
2	16860	2	Skruer	
3	34240	1	Afdækning F. Svømmerventi L	
4	22669	1	HEXAGON NUT	[1]
5	301002149	1	NIPPLE G3/4X50 I-A	[1]
6	17379	1	Membran A20	
7	63871	1	Svømmeventil	
8	1813807	1	WASHER 6.4/18.0X1.6 A ISO7090 VA	
9	33158	1	LOCK NUT M6 A2 DIN 985	
10	107143222	1	SCREW M6X80 ISO 4017/DIN 933 8.8 FZB	
11	107141838	2	SCREW K50X18 WN1451 BLACK TORX20	
12	107143223	1	LOCKING PLATE	
13	107143224	1	DRAIN TUBE DN 50X1.8	
14	101118301	1	DRAIN FITTING WITH O-RINGS KIT	
15	101118304	1 (2)	CONNECTION BOX COVER+GASKET	
15A	101118302	1 (2)	HEATING ELEMENT 12KW 230/400V KIT	[2]
15A	101118303	2	HEATING ELEMENT 12KW 266/460V KIT	[3]
15B	107143236	1 (2)	CABLE FOR HEAT ELEMENT	
16	107143234	1 (2)	O-RING 54 X 4 NBR 70 SHORE	
17	8927	2	HEX. SCREW VERBUS M8X20 DIN 6921	
18	4827	2	WASHER 10 SAE FLAT PLTD	
19	2767	2	Skive 10,5X2	
20	8952	2	Mutter M10	
21	107143225	1	TANK	
22	107307468	1	MINI BALLVALVE MALE/FEM 3/4	
23	3001237	1	Pakning Ø24,5Xø16X3	
24	107143219	1	HOSE NIPPLE PA ?19X3/4	
25	107142834	2	LEVEL SENSOR MH E WITH PP FLOATER SPPT	
26	107143214	1	TEMPERATURE SENSOR PT100	
27	107143213	1	TEMPERATURE LIMITER 85°C	
28	107146776	1	O-RING 50X5 NBR 70SH	
29	107141709	1	ELBOW 90DEG HOSE NOZZLE	

Part Notes:

- [1] - STOCK COVERS GUARANTEE
- [2] - EU
- [3] - US



Pos.	Produktnummer	Antall	Beskrivelse	Notes
1	301002284	5	GROMMET	
2	1800127	4	LOCK NUT M4 8.8 A2K DIN 985	
2A	107143227	1	AXIAL FAN 80X80X25	
2B	107318103	4	SCREW M4X40 DIN965-A	
2C	107318098	1	FILTER COVER FOR FAN	
3	107318193	4	EMI BOX PP+PCBA+SCREW SST KIT	
4	107143232	E24	CIRCUIT BREAKER DZ47-63 3-POL 40A	
4	107143231	E12	CIRCUIT BREAKER DZ47-63 3-POL 20A	
5	107143228	1	TERMINAL BLOCK 'PUSH IN'	
6	107143229	1	END PLATE	
7	103822317	2	KONTAKTOR 32A 3P+NO 24V	
8	103822326	1	OVERC.RELAY JR28-25-1316.9-13A	
9	103822306	1	KONTAKTOR 18A 3P+NO 24V	
10	3803772	3	CABLE GROMMET 3 HOLES	
11	3803764	2	RUBBER SEAL TET 5-7C	
12	909100021	1	HEXAGON HEAD CAP SCREW M10X 35 ISO 4017	
13	107143203	E24	CABLE GLAND M32 14-25MM BLACK	
13	107143207	E12	CABLE GLAND M32 11-21MM BLACK	
14	107307326	1	EARTH CONNECTOR 6 PIN	
15	107141838	4	SCREW K50X18 WN1451 BLACK TORX20	

